



Lexor[®]

Pioneering "Smart" Pedi-Spas

PEDICURE SPA USER MANUAL

**ELITE PLATINUM[®], MYSTIQUE[®], V-SPA[®], Q-SPA[®],
VERSAS[®]**

Before Operating the unit, please read this manual thoroughly and retain it for future reference.

RECEIVING AND INSPECTION:

PLEASE TAKE NOTE! Thoroughly inspect each shipment immediately upon arrival. It is important that you notify the driver and insist on a notation of the damage. Make this notation directly on the freight company's waybill or bill of lading. Failure to note damage on the waybill or bill of lading may impede and/or prevent any claims that you may have against the freight carrier.

If missing parts or damage is found. Please notify the carrier at once and request an inspection. **DO NOT DISCARD THE SHIPPING BOX.** If you give the carrier a clear receipt for goods that have been damaged in transit, you do so at your own risk and expense.

TRADEMARK DISCLAIMER

V-Spa, Elite Platinum, Mystique, Versas, Vista, Elite Ultra, Q-Spa, Sani-Drain, PureFlo, Pioneering "SMART" Pedi-Spa, Auto-Fill, AutoClean, and TT350 and Tru-Touch are the registered trademarks of Lexor, Inc. Reproduction or reuse of part or all of trademarks are expressly prohibited without written permission from Lexor, Inc. Due to limitation of the printing process, product colors shown might look different from actual colors. Lexor will not be responsible for any misprint of this advertisement. Lexor's footspa specification and prices may change without prior notice. Pedicure Spas are intended for professional used only, always follow your State Board's sanitation and disinfectant guideline.

Table of Contents

RECEIVING AND INSPECTION	1
SAFETY PRECAUTIONS	3
PARTS	
Identifying Parts for ELITE PLATINUM® Model	4
Identifying Parts for MYSTIQUE® Model	5
Identifying Parts for V-SPA® Model	6
Identifying Parts for Q-SPA® Model	7
Identifying Parts for VERSAS® Model.....	8
INSTALLATION	
Spa to Spa Recommended Clearance	9
Wall Clearance	9
Manicure Tray/Armrest/Backrest Installation	10
Sliding Armrest.....	10
Up/Down Swinging Armrest.....	11
Side Swinging Armrest.....	12
Backrest.....	13
Plumbing Connections.....	14
Power Drain	14
Gravity Drain (Under Ground).....	15
Hot and Cold Water Supply Lines.....	15
SPA SPECIFICATION	
Electrical and Spa Component Specifications	16
OPERATION AND CARE	
Operation and Care Instructions.....	17
Manual Operation (For Non Auto-Fill™/Drain Models)	17
Filling.....	17
Whirlpool Starting.....	17
Draining.....	17
Auto Operation (Auto-Fill™/ AutoClean™ Models).....	18
Auto-Fill™ Models.....	18
Auto-Fill™ & AutoClean™ Models.....	19
Magnetic Jet Cover Removal and Installation.....	22
Massage System and Remote Controller	23
Safety Requirements for Pedicure Spas.....	24

READ AND FOLLOW INSTRUCTIONS CAREFULLY

SAFETY PRECAUTIONS:



Warning

**THIS PRODUCT IS FOR INDOOR USE ONLY
DISCONNECT POWER SUPPLY CORD BEFORE SERVICING**

This product is to be connected to a branch circuit outlet protected by a Class A GROUND FAULT CIRCUIT INTERRUPTER (GFCI), and the GFCI shall be tested regularly for continued protection and correct operation. If a Class A GFCI protected outlet is not available, **DO NOT USE THIS PRODUCT!** Please contact a licensed electrician for installation of a Class A GFCI according to local electric codes, or equivalent.



Warning

DO NOT USE if you are diabetic, have poor circulation, or if any area of your feet or legs is inflamed or has an open sore. Consult your physician before using if you have any kind of fungal infection, swelling, fracture or persistent pain.



Warning

**TO REDUCE RISK OF INJURY, DO NOT PERMIT CHILDREN TO USE
THIS UNIT UNLESS THEY ARE CLOSELY SUPERVISED AT ALL TIME**

- LIRE LES INSTRUCTION DU FABRICANT AVANT DE METTRE EN MARCHÉ
- UTILISER SEULEMENT A L'INTERIEUR
- COUPER LE COURANT AVANT DE PROCEDRE AU DEPANNAGE, AU NETTOYAGE



Warning

1. Excessive water temperature is dangerous and should be checked **BEFORE** use.
2. Maximum temperature of the water should never exceed 100 degrees F.
3. **DO NOT STEP/ STAND IN FOOT BASIN.**
4. Always enter and exit the Pedicure Spa slowly and carefully.
5. **NEVER** bring and / or operate any electrical devices into or near the Pedicure Spa.
6. Maximum load in spa chair is 250lbs (114kg).



Warning

If a crack in the GLASS BOWL occurs, **DO NOT** handle unless the proper attire and equipment is used. Discontinue use of the bowl until proper equipment is replaced. You may be held accountable for any injury that may occur. LEXOR, Inc. is not liable for any injury that may occur.

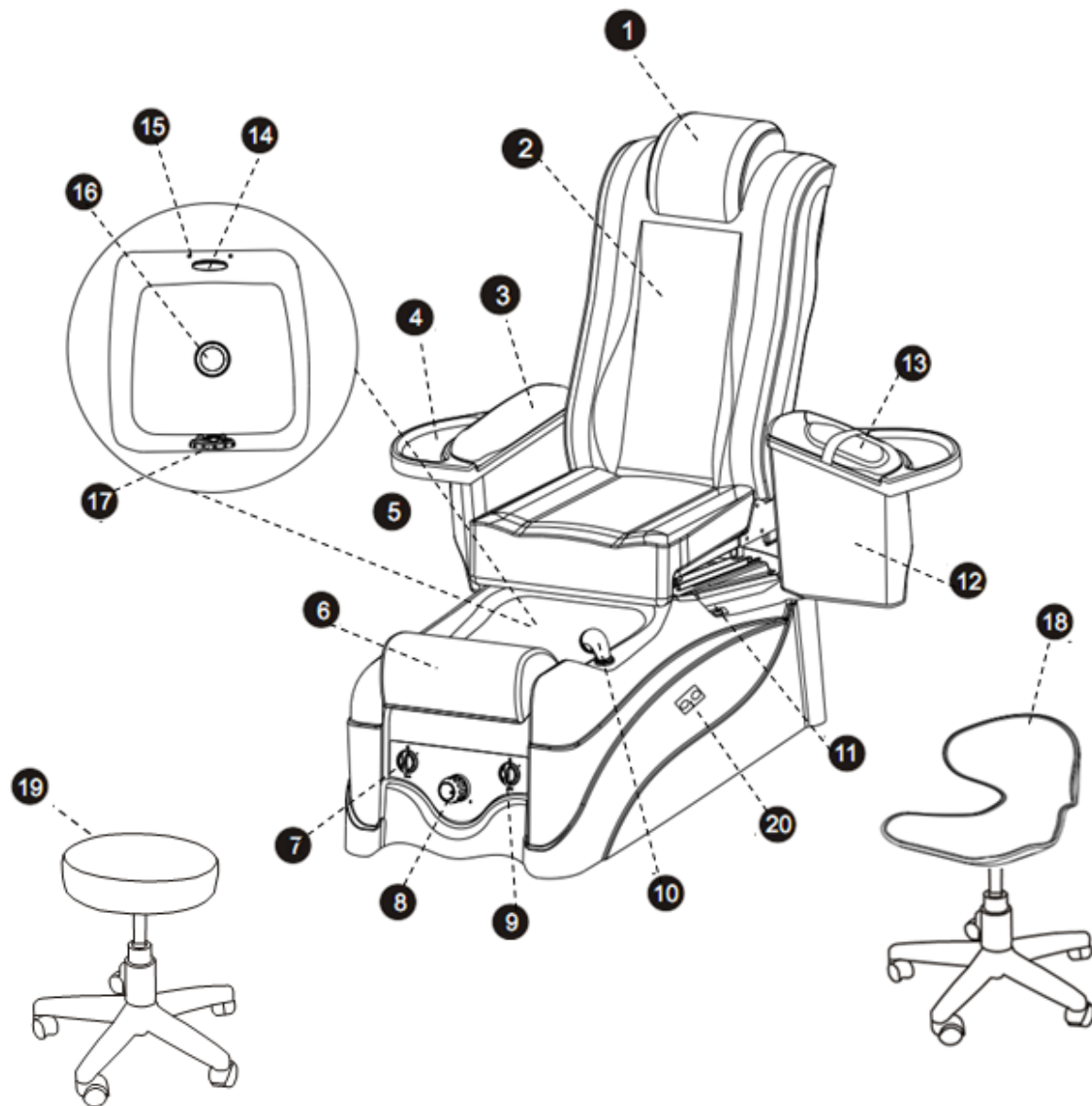
STATES' NOTICE

In the common wealth of most of the States, all pedicure spas shall be installed for Commercial usage in the states, are required to have backflow preventer. This equipment shall be installed between the water inlets and the spa at Salon's cost.

PLEASE SAVE THESE INSTRUCTIONS FOR FUTURE REFERENCE

Identifying Parts for ELITE PLATINUM® Model

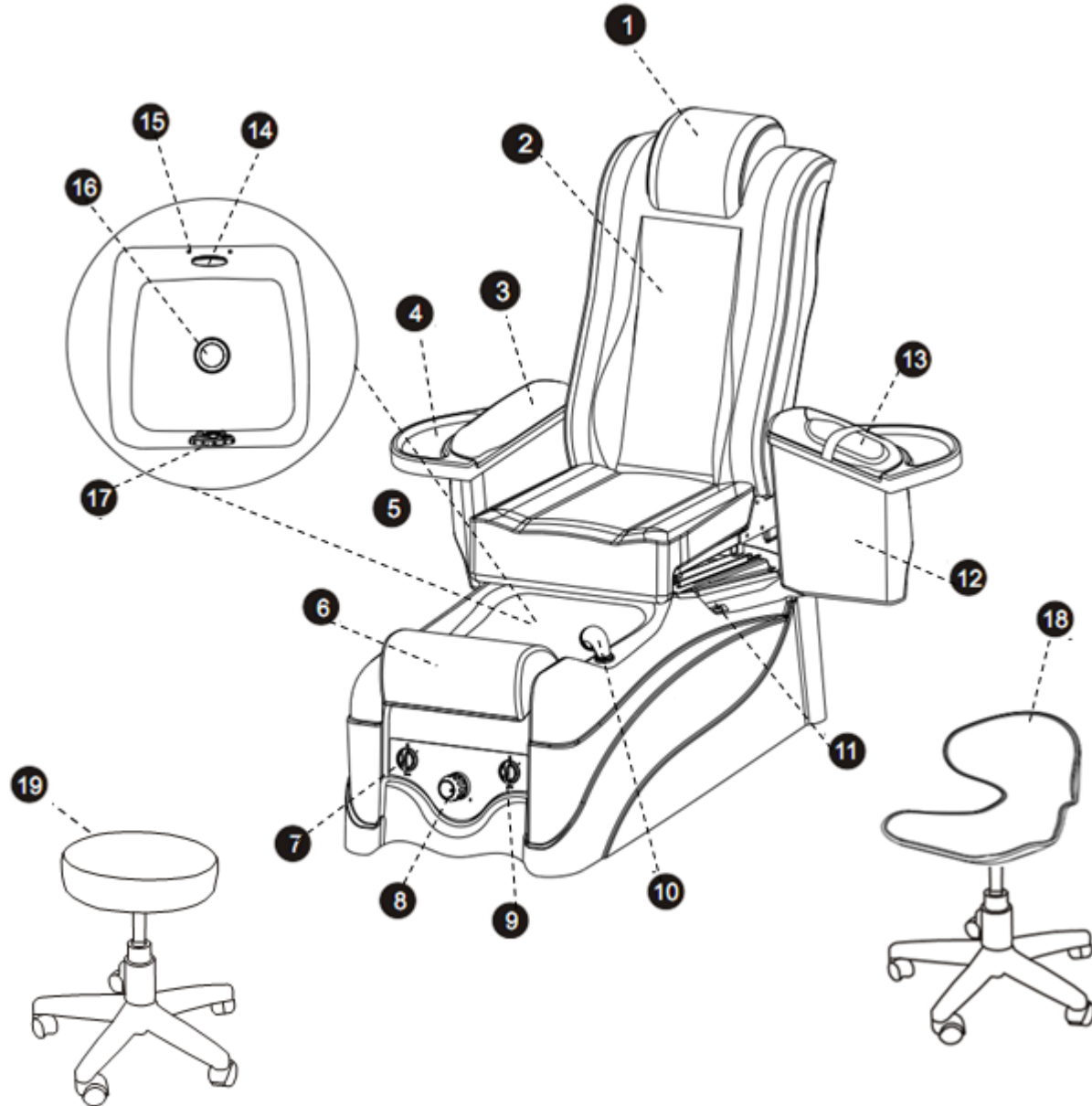
Pedicure Whirlpool with Massage System



- | | | |
|--|---|--|
| 1. Head Rest | 8. Hot/Cold Water Mixer Valve | 14. Tub Light |
| 2. Chair Cushion with Massage | 9. Dual Function Auto-Fill™ & Jet On/Off Knob | 15. Water Level Sensors |
| 3. Armrest Cushion | 10. Flex Water Filler/Spray Spout | 16. Drain Stopper |
| 4. Manicure-Tray (Optional) | 11. Lock/Latch Armrest | 17. Pure-Flo™ Jet |
| 5. Glass Bowl | 12. Swing Out Armrest | 18. Low Profile Stool for Pedicure |
| 6. Adjustable Footrest | 13. Massage Remote Control | 19. High Profile Stool for Manicure (Optional) |
| 7. Sani-Drain™ System with Discharge On/Off Knob | | 20. File Controller |

Identifying Parts for MYSTIQUE®

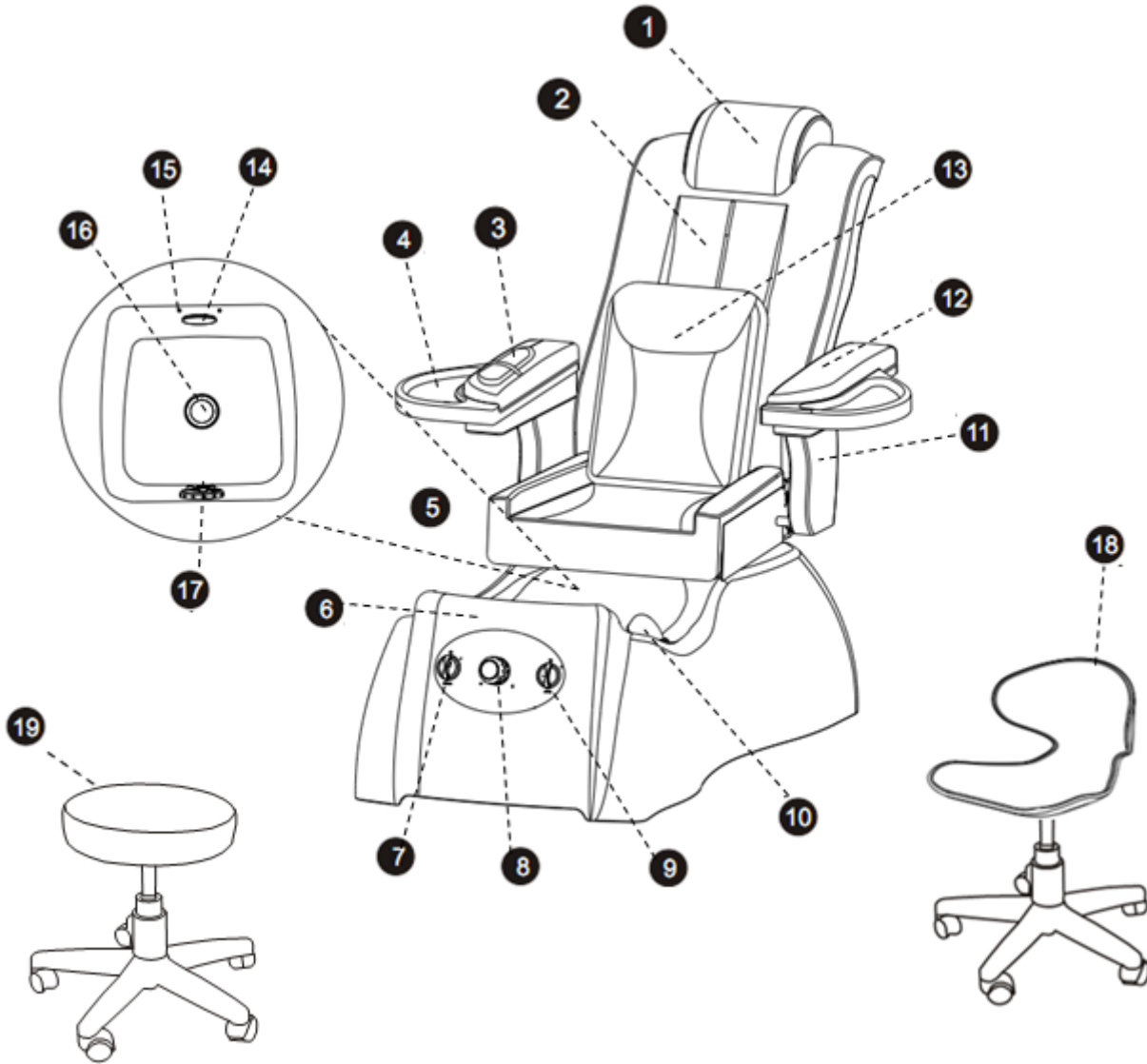
Pedicure Whirlpool with Massage System



- | | | |
|--|---|--|
| 1. Head Rest | 9. Dual Function Auto-Fill™ & Jet On/Off Knob | 17. Pure-Flo™ Jet |
| 2. Chair Cushion with Massage | 10. Flex Water Filler/Spray Spout | 18. Low Profile Stool for Pedicure |
| 3. Armrest Cushion | 11. Lock/Latch Armrest | 19. High Profile Stool for Manicure (Optional) |
| 4. Manicure-Tray (Optional) | 12. Swing Out Armrest | 20. File Controller (Optional Not Shown- refer to Elite Platinum® Model) |
| 5. Tub Bowl | 13. Massage Remote Control | |
| 6. Adjustable Footrest | 14. Tub Light | |
| 7. Sani-Drain™ System with Discharge On/Off Knob | 15. Water Level Sensors | |
| 8. Hot/Cold Water Mixer Valve | 16. Drain Stopper | |

Identifying Parts for V-Spa® Model

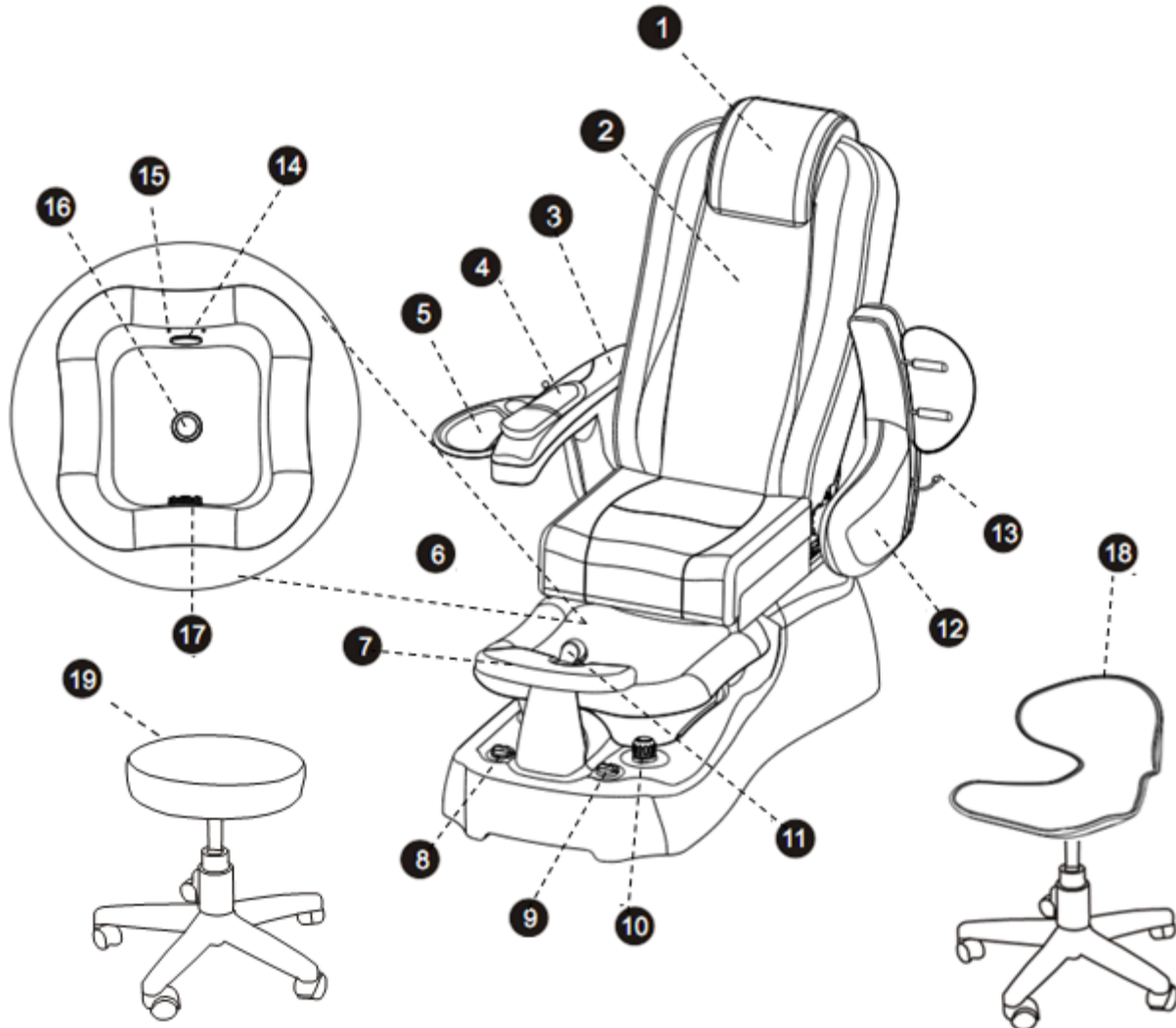
Pedicure Whirlpool with Massage System



- | | | |
|--|---|--|
| 1. Head Rest | 9. Dual Function Auto-Fill™ & Jet On/Off Knob | 15. Water Level Sensors |
| 2. Chair Cushion with Massage | 10. Flex Water Filler/Spray Spout | 16. Drain Stopper |
| 3. Massage Remote Control | 11. Sliding Armrest | 17. Pure-Flo™ Jet |
| 4. Manicure-Tray (Optional) | 12. Armrest Cushion | 18. Low Profile Stool for Pedicure |
| 5. Tub Bowl | 13. Convertible Kidde-Y™ Seat | 19. High Profile Stool for Manicure (Optional) |
| 6. 1-Piece Footrest | 14. Tub Light | 20. File Controller (Optional Not Shown- refer to Elite Platinum® Model) |
| 7. Sani-Drain™ System with Discharge On/Off Knob | | |
| 8. Hot/Cold Water Mixer | | |

Identifying Parts for Q-Spa® Model

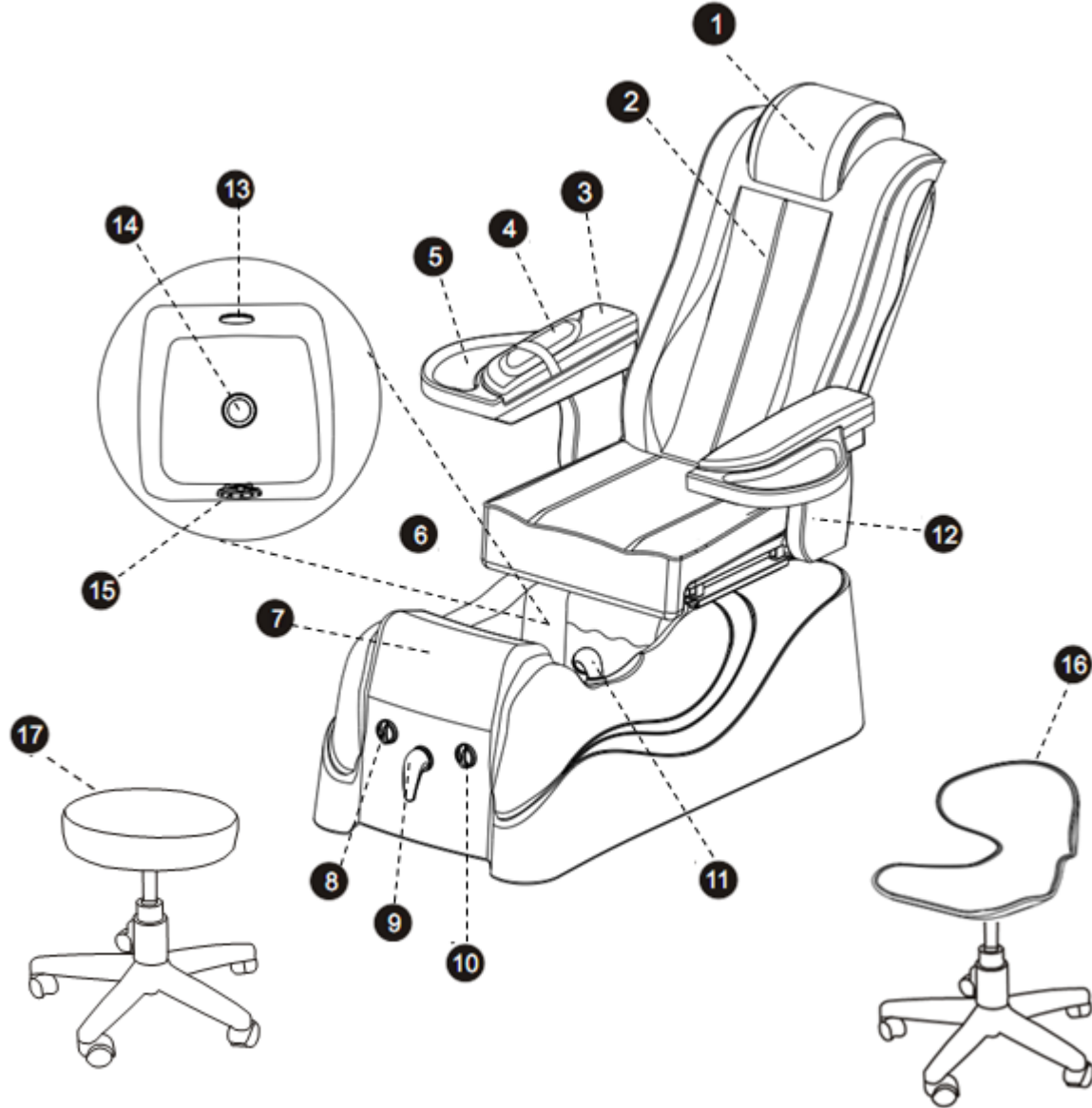
Pedicure Whirlpool with Massage System



- | | | |
|--|-----------------------------------|--|
| 1. Head Rest | & Jet On/Off Knob | 18. Low Profile Stool for Pedicure |
| 2. Chair Cushion with Massage | 10. Hot/Cold Water Mixer Valve | 19. High Profile Stool for Manicure (Optional) |
| 3. Armrest Cushion | 11. Flex Water Filler/Spray Spout | 20. File Controller (Optional Not Shown- refer to Elite Platinum® Model) |
| 4. Massage Remote Control | 12. Up/Down Armrest | 21. Kidde-Y™ Seat (Optional, Not Shown- refer to V-Spa® Model) |
| 5. Manicure-Tray (Optional) | 13. Handbag (Purse) Hook | |
| 6. Glass Bowl | 14. Tub Light | |
| 7. Footrest | 15. Water Level Sensors | |
| 8. Sani-Drain™ System with Discharge On/Off Knob | 16. Drain Stopper | |
| 9. Dual Function Auto-Fill™ | 17. Pure-Flo™ Jet | |

Identifying Parts for Versas® Model

Pedicure Whirlpool with Massage System

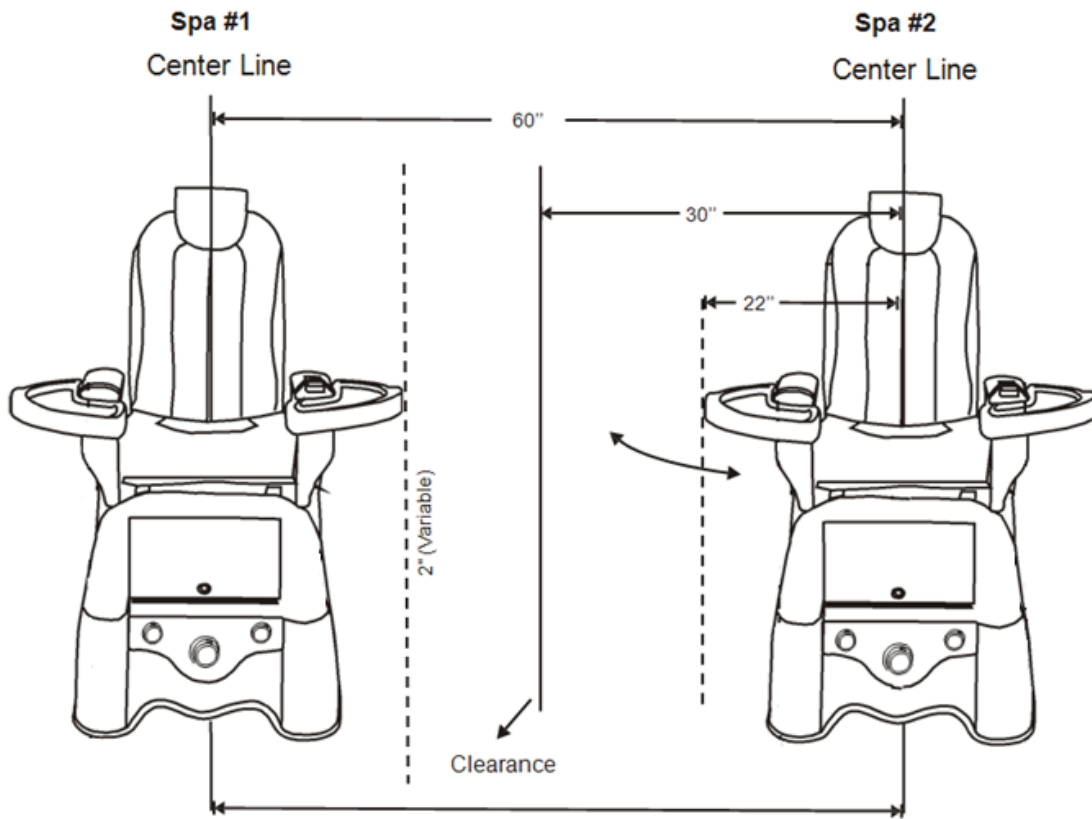


- 1. Head Rest
- 2. Chair Cushion with Massage
- 3. Armrest Cushion
- 4. Massage Remote Control
- 5. Manicure-Tray (Optional)
- 6. Tub Bowl
- 7. Footrest
- 8. Sani-Drain™ System with Discharge On/Off Knob

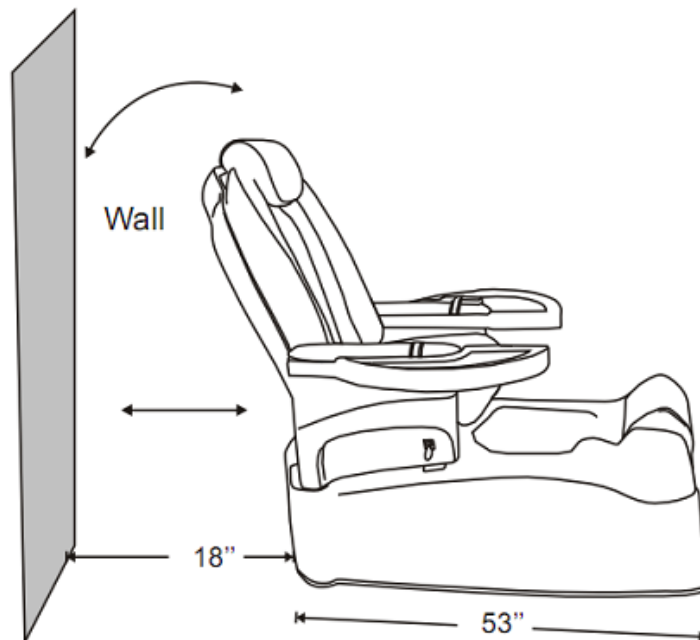
- 9. Hot/Cold Water Mixer Valve
- 10. Jet On/Off Knob
- 11. Flex Water Filler/Spray Spout
- 12. Sliding Armrest
- 13. Tub Light
- 14. Drain Stopper
- 15. Pure-Flo™ Jet
- 16. Low Profile Stool for

- Pedicure
- 17. High Profile Stool for Manicure (Optional)
- 18. File Controller (Optional Not Shown- refer to Elite Platinum® Model)
- 19. Kidde-Y™ Seat (Optional, Not Shown- refer to V-Spa® Model)

SPA to SPA RECOMMENDED CLEARANCE:



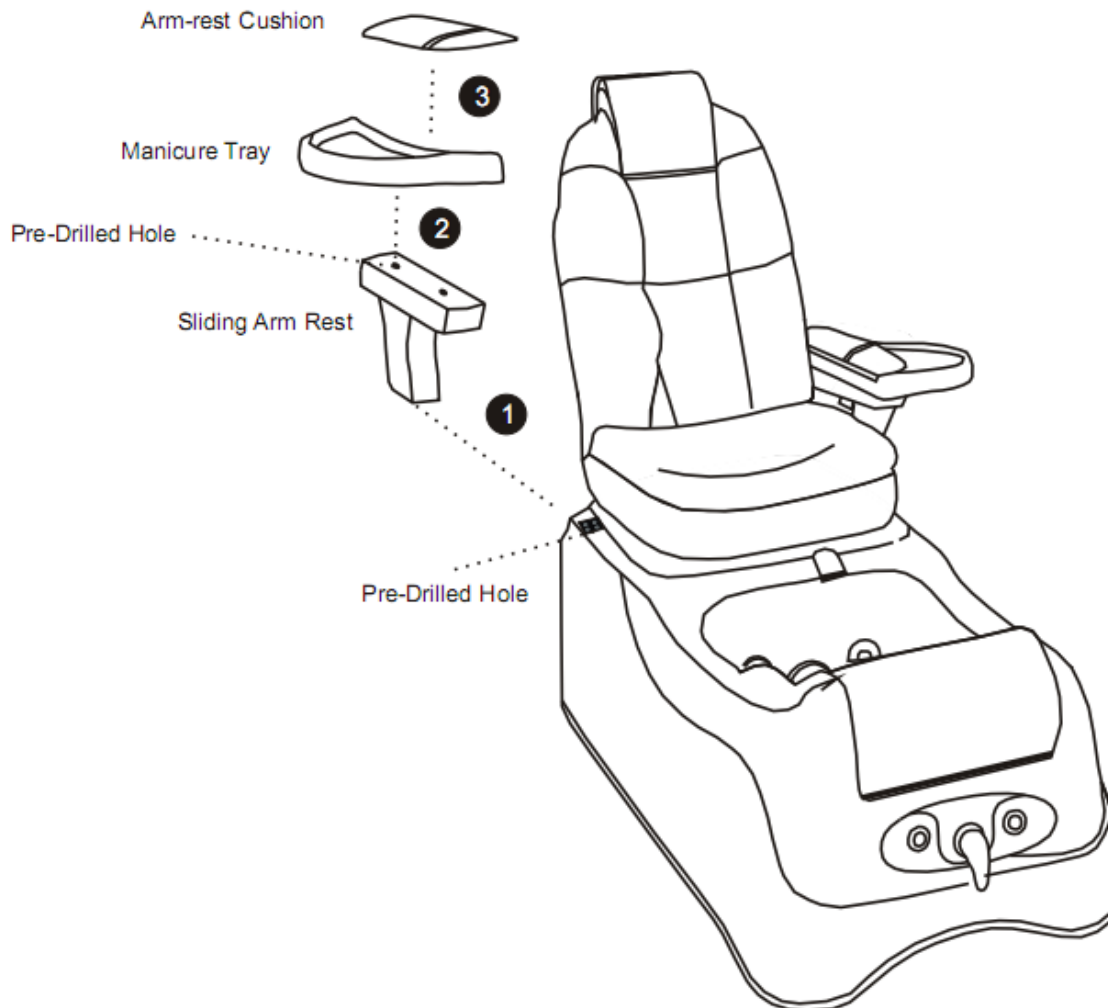
Wall Clearance:



MANICURE TRAY/ ARMREST / BACK REST INSTALLATION

Sliding Armrest:

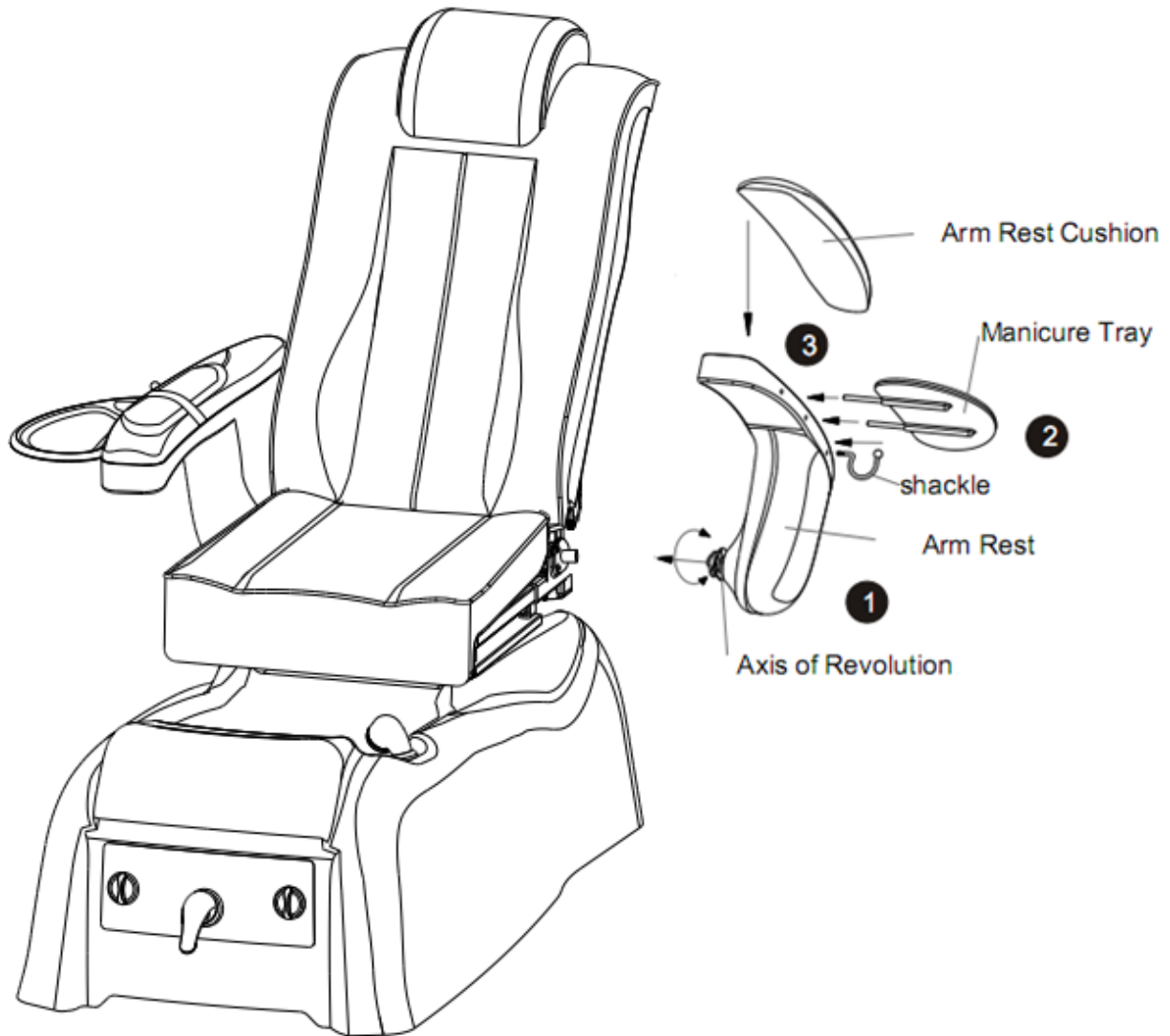
- **Applicable for Versas[®] and V-Spa[®]**



1. Remove pre-installed 4 screws on both armrests.
2. Align manicure tray on top of armrest then secure it with screws. (Philips Screwdriver needed)
3. Attach the armrest cushions on top of manicure trays.
4. If Manicure trays are not to be installed, simply apply the armrest cushions on to armrest.

Up/Down Swinging Armrest:

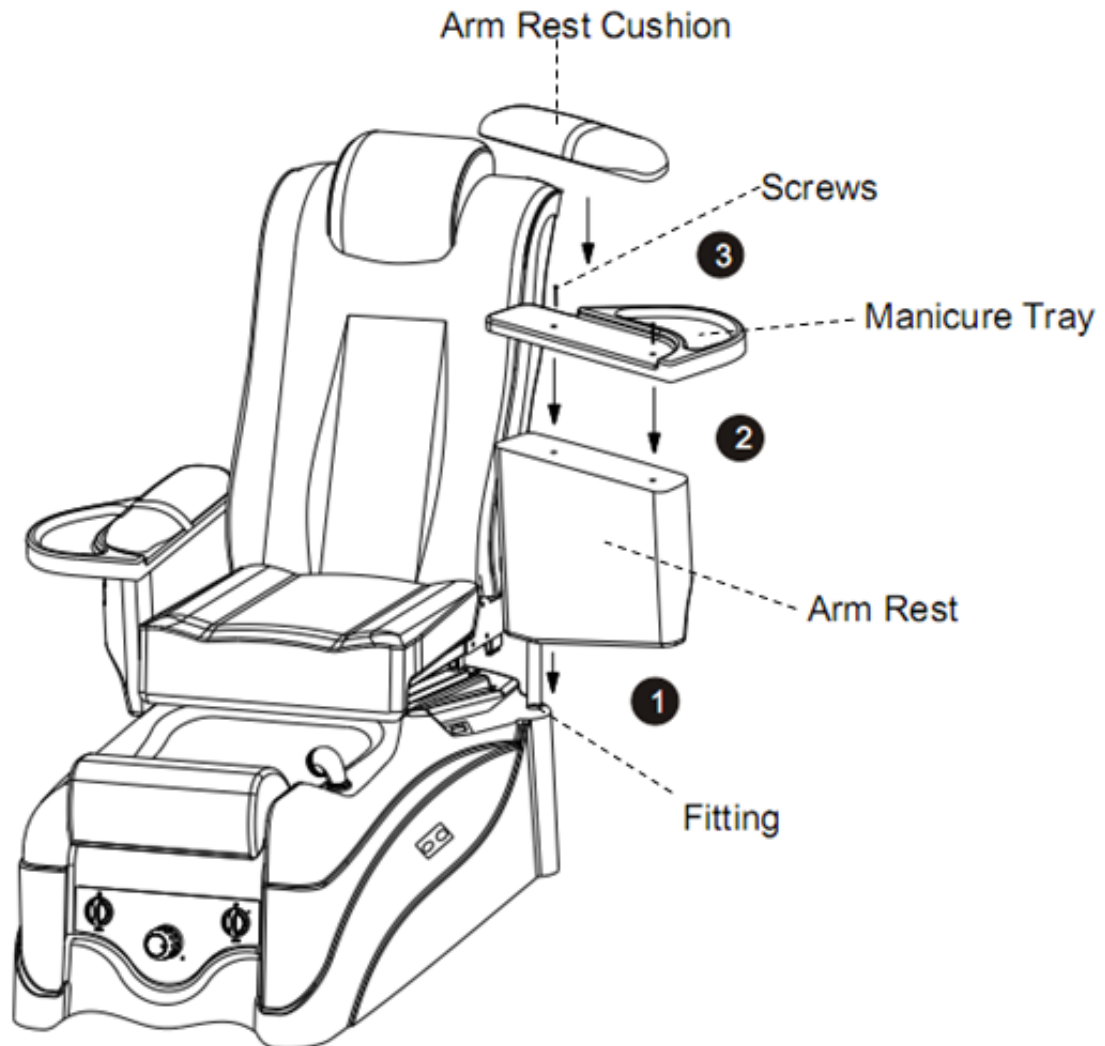
- Applicable for Q-Spa®



1. Plug-in manicure trays for install and pull out for removal.

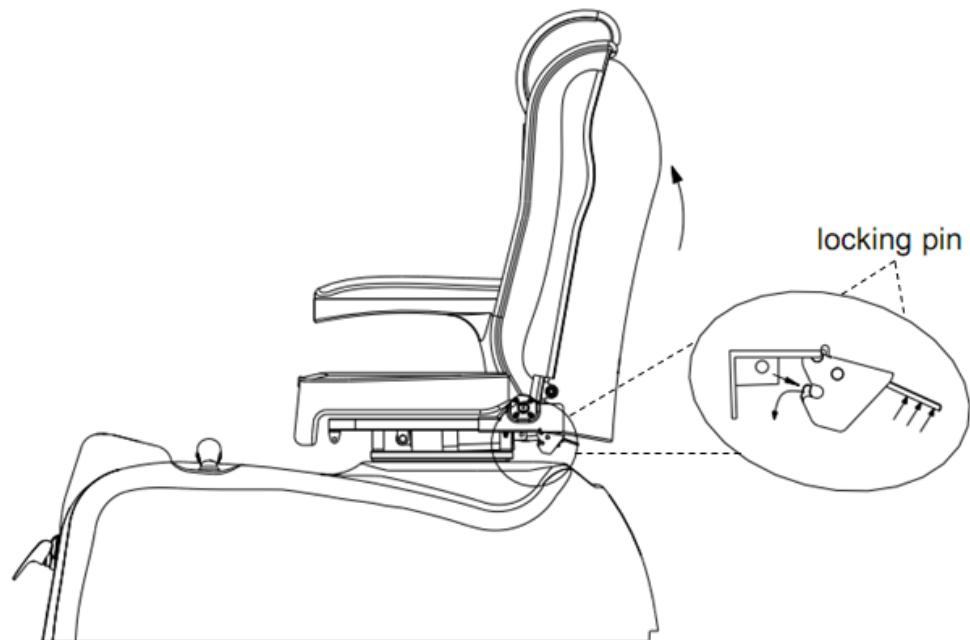
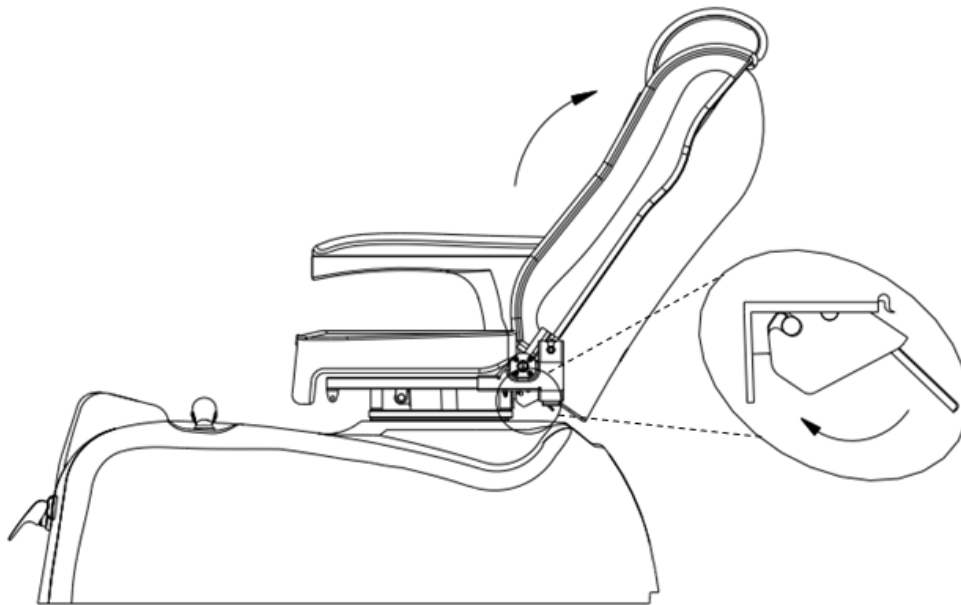
Side Swinging Armrest:

- Applicable for Elite Platinum® and Mystique®



1. Remove 4 screws on both armrests.
2. Align manicure tray on top of armrest then secure it with screws. (Philips Screwdriver needed)
3. Attach the armrest cushions on top of manicure trays.
4. If Manicure trays are not to be installed, simply apply the armrest cushions on to armrest.

BACK REST:



1. To set backrest up: Lift up the backrest until a "Click" is heard.
2. To fold down backrest: Lift up latch handle located on the left side / bottom of Chair.

Plumbing Connections:

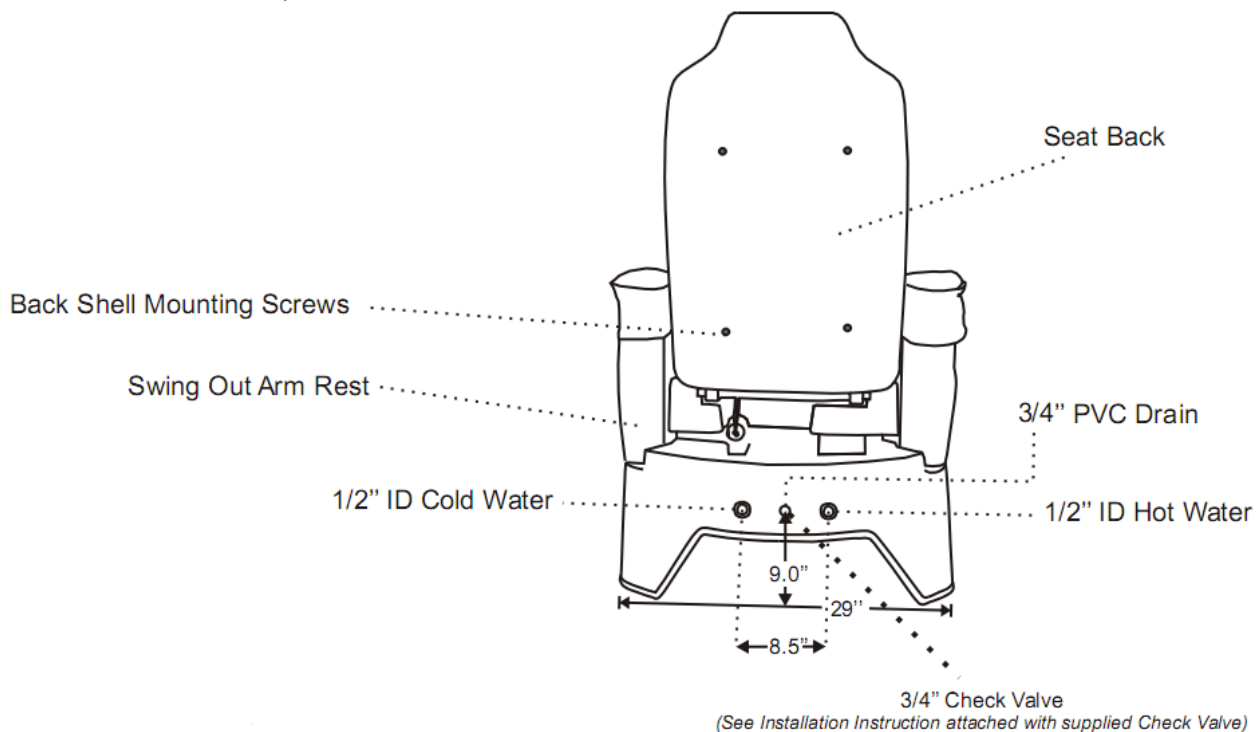


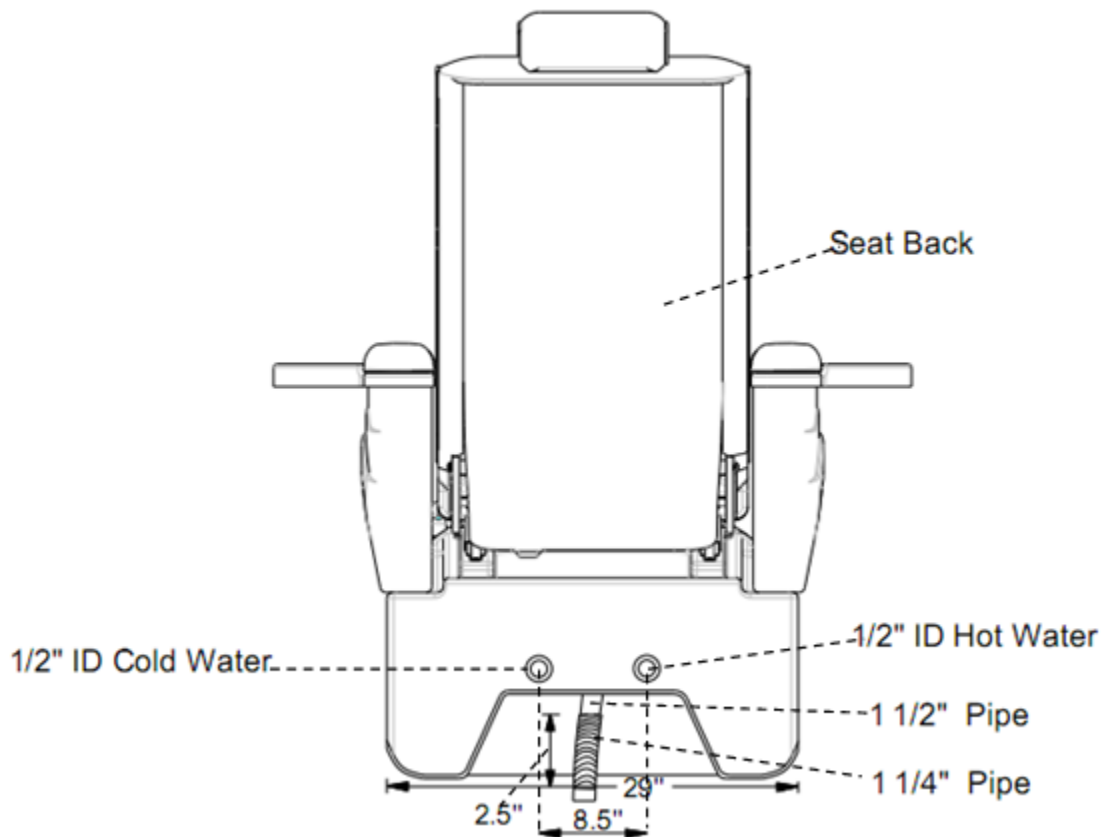
Warning

Before any connection, pay attention to these subjects:

1. Debris or residue may become lodged into the Hot and Cold hoses during construction, which may clog the Hot and Cold Mixer. To clean, drain a good amount of water from water hoses to bucket before connecting them to the pedicure spa. Failure to do so may void your Warranty.
2. Hooking up a used Hot/Cold flex hose is not recommended since debris from broken rubber seal might clog water mixer. Failure to do so may void your Warranty.
3. Backflow preventer: Due to differences in construction lay-out of your Salon and City's plumbing code, please contact your local Plumber to fulfill your needs as required. Backflow Preventers are not supplied by the pedicure spa manufacturer.
4. Check valve is an optional part and supplied free of charge for your convenience. Factory is not liable for this Check valve.
5. Maximum Inlet water pressure must be under 75 PSI.

Power Drain:



Gravity Drain (Under Ground):**HOT AND COLD WATER SUPPLY LINES**

Carefully connect 1/2" ID supply hoses (not provided) to fresh water sources. Shut-off valves (not provided) should be utilized. Valves should be placed outside the tub for easy access.

CONNECT DRAIN WITH POWER DRAIN (PUMP) OR GRAVITY DRAIN (NO PUMP)

Using 3/4" schedule 40 PVC (Power Drain) or 1 1/4" flex tube (Gravity Drain) and appropriate traps. Connect drain to meet local plumbing codes.

Rubber connection to the drain should be removable for easy service and should not be permanent to prevent damage.

ELECTRICAL AND PEDICURE SPA COMPONENT SPECIFICATIONS

All electrical connections MUST be made by a qualified, licensed electrician in accordance with Local & National Electrical and Building Codes. A 110V-50/60 Hz, 15 Amp, GFCI protected grounded circuit MUST be used to supply power to the Pedicure Spa. A dedicated circuit must be used with a GFCI. All wiring must conform to National & Local Electrical Codes.



WARNING: IT IS EXTREMELY IMPORTANT THAT THE FOOT SPA OPERATES WITH GFCI PROTECTION

VERY IMPORTANT Both back of chair and seat are adjustable. When both are at maximum positions one must allow 18”(44cm) from back wall to foot spa. This minimum distance assures unobstructed recline. Failure to follow this required dimension might damage your spa components and plumbing connections, which will void your warranty.

PEDICURE SPA SPECIFICATIONS:

- Construction: Marble composite, high gloss, acetone-proof gel coat.
- Two (2) electro-mechanical knobs control the drain and whirlpool.
- Electro-mechanically operated reclining, massaging, and sliding seat with hand held control.
- One (1) pipe-less whirlpool jet. (Pipe-free technology)
- Power drain or Gravity drain
- Extendable water spray positioned well above water line, air gap is accommodated with back-flow prevention required by plumbing code
- Depending on pedicure spa model, arms may swing open, swing up / down or slide forward / backward.

SPECIFICATIONS	
Spa Dimensions & Weights	All Spa (seat up-right): L=52”(132cm), Versas® model Length = 50” (127cm) W=33”(84cm) w/ Tray =44”(112cm) H=56”(142cm) Spa (fully reclined): L=74”(180cm), H=46”(112cm), Empty Weight: ~ 200 lbs. Shipping Weight: ~ 260 lbs.
Adjustable Stool	Pedicure Stool: 12” – 13”. Manicure Stool: 16.25” – 20”
Spa Water Capacity	~ 4 US Gallon
Jet Motor	120 VAC. at 85W 60Hz
Massage Motors, Seat Sliding & Reclining	24VDC, 2.5A x 5
Discharge Pump	Motor – 120V at 85W 60 Hz Maximum flow rate 600 GPH @ floor level
Power source	115 VAC, 60HZ, 15A. Power needed per spa chair = 6 Amp
Electrical Switches	One (1) electro-mechanical knob for the Whirlpool. Rated at 5A contact. One (1) electro-mechanical knob for the Drain. Rated at 5A contact.
Plug & Play Installation	Installation should be made with connection at the external interface parts. Please consult with your local plumber.
Safety	Elite Platinum®, Mystique®, Q-Spa®, Versas®, V-Spa®, and Elite Ultra® Pedicure Spas are UL component recognized, UL Certified.

OPERATION AND CARE INSTRUCTIONS

Manual Operation (For Non Auto-Fill™/Drain Models):

Filling

Close the Drain Stopper by turning the Drain Knob counterclockwise. Utilizing the single lever hot/cold mixer faucet located on the front of the Pedicure Spa, fill the tub to the water level above the whirlpool jet at least 1 inch. You must completely submerge the jet. If during the operation of the whirlpool, the water level decreases, simply add more water.

Whirlpool Starting

Turn the Jet Knob located on the right side of the front panel to clockwise to turn on. Turn counterclockwise to shut off.



Warning Do NOT turn "ON" the WHIRLPOOL JET unless adequate water is in the tub.

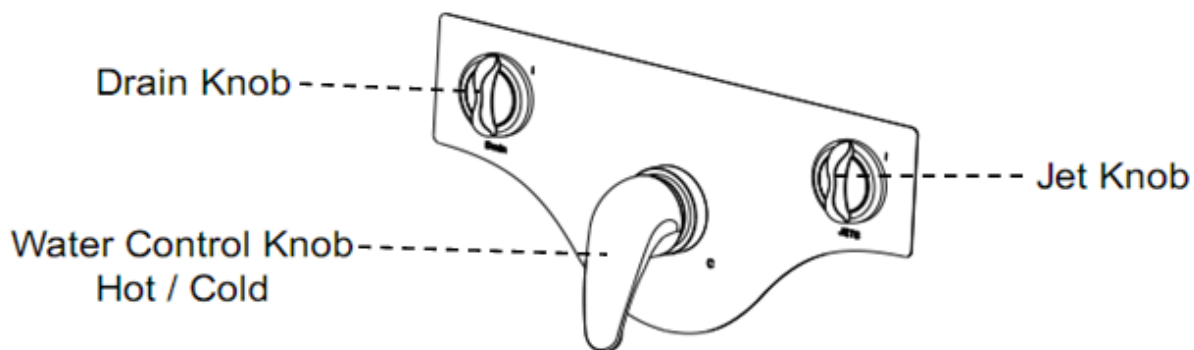
Draining

Turn the Drain Knob clockwise to open the Drain Stopper. Power Drain will turn on automatically if drain pump exist.



Warning Do NOT turn "ON" the DRAIN PUMP unless adequate water is in the tub.
THE WARRANTY IS VOID IF THE PUMP HAS BEEN RUNNING DRY

NOTE: Whirlpool action can cause even small amounts of soap or body oil to foam excessively. For this reason, refrain from using these products during the whirlpool cycle.



Auto Operation (Auto-Fill™/ AutoClean™ Models):

Auto-Fill™ Models:

Automatic Auto-Fill™ cycle:

Water will automatically turn-off when optimal water level is detected by 2 sensors. It is followed with the immediate start of Whirlpool jet for a duty cycle of thirty (30) minutes. The Auto-Fill™ cycle is safely protected by 2 sensors, 3-minute time out and can be extended with a manually operative shut-off valve located at the front panel.

- ❖ *Please note: The 3-minute time out is designed for overflow protection in case of an emergency.*
- ❖ *If water flow rate is too weak due to current plumbing, you may notice the water stops before reaching water sensor. This is because the 3-minute time out has been activated. To continue filling, turn the Auto-Fill knob clockwise.*



Important!

Must scrub and clean water sensors frequently to ensure that water stops right at sensor level. If necessary, clean using sponge buffer.

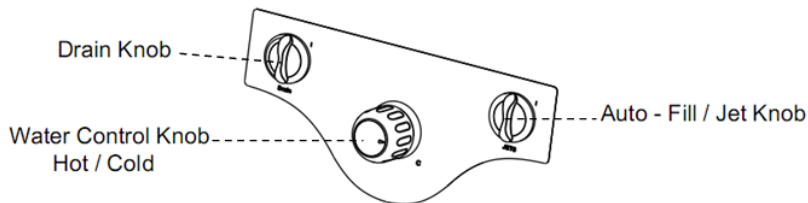
Manual conversion:

Auto-Fill™ option can be simply reset to normal manual mode as a contingent system when automatic operation becomes unavailable. Please call our Customer care for step by step instructions.

Panel Functional Switches & Operating Instructions:

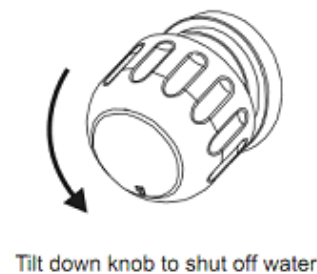
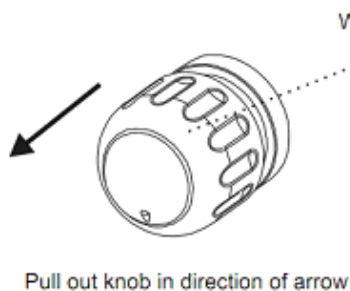
Hot/Cold water faucet located at the center of the front panel.

- 1.1 Use faucet knob to adjust optimal water temperature at “H” or “C” directory.
- 1.2 Pull out and tilt down faucet knob to shut off water any time during the automatic or manual operational cycle.



Warning

Must be used when spa chair is left unattended or for overnight procedures to shut off water supply to basin.



Auto-Fill™ / Jet Switch:

(Dual-functional momentary switch located on the right side of the front panel)

- 2.1 To turn water on: Turn knob clockwise and release. Water will fill up to reach the sensor level and activate the whirlpool jets to proceed a running duration of thirty (30) minutes automatically.
- 2.2 To turn water off: Turn knob clockwise and release. The switch can be activated to turn on or turn off water any time during the Auto-Fill™ cycle, EXCEPT when water is at sensor level.
- 2.3 To turn on/off the whirlpool jets: Turn & Hold knob clockwise until blue LED light turns on/off.

Drain Switch:

(Dual Action Electro-mechanical Switch located on the left side of the front panel)

When activating the switch, it will raise the drain-stopper and power up the drain pump (if exist) at the same time.

- 3.1 To drain water: Turn the drain knob clockwise. Switch is activated. A blue LED light will turn on.
- 3.2 To turn off the drain pump: Turn the drain knob counterclockwise.

Auto-Fill™ & AutoClean™ Models:

Auto-Fill™ cycle:

Water will automatically turn-off when optimal water level is detected by 2 sensors and followed with the immediate start of Whirlpool jets for a duty cycle of thirty (30) minutes. The Auto-Fill™ cycle is safely protected by 2 sensors, 3-minute time out and can be extended with a manually operative shut-off valve located at the front panel.



Important!

Must scrub and clean water sensors frequently to ensure that water stops right at sensor level. If necessary, clean using sponge buffer.

AutoClean™ cycle:

AutoClean™ cycle can be activated any time and will override other functions. Before activate this function: Follow your local sanitation regulatory, scrubbing whirlpool jet, basin and adding EPA to the basin. When activate, existing water will be automatically drained out and starting the AutoClean™ cycle by:

- * Automatic refill water for 5 seconds followed with a drain action to force any debris left over out of the basin
- * Automatic refill water to sensors level followed with the immediate start of Whirlpool jets for a duty cycle of 10 minutes (recommended) or a quick clean of 1 minute as needed.
- * Adding EPA solution is required during this second refill.
- * Water will be automatically drained out at the end of AutoClean™ cycle.

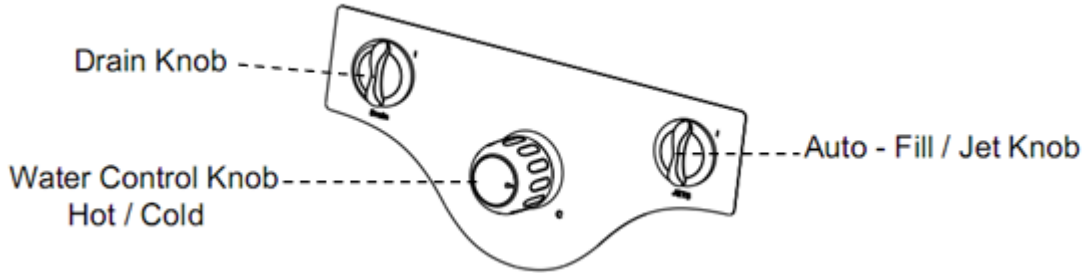
Manual conversion:


Auto-Fill™ option can be simply reset to normal manual mode as a contingent system when automatic operation becomes unavailable. Please call our Customer care for step-by-step instructions.

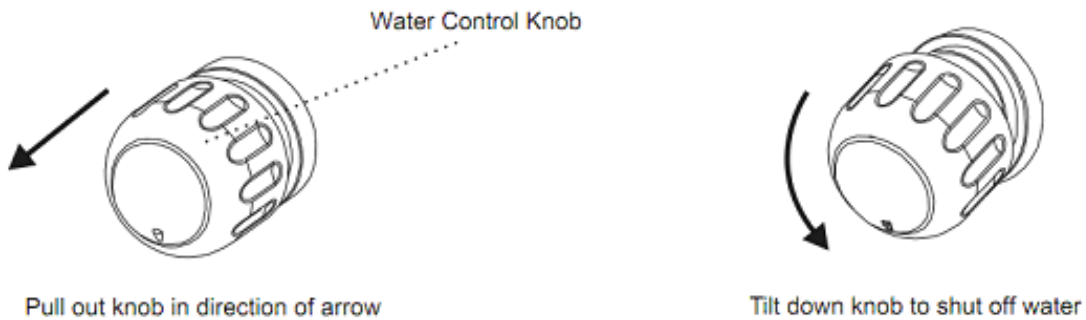
Front Panel Functional Switches & Operating Instructions:

Hot/Cold water faucet located at the center of the front panel.

- 1.1 Use faucet knob to adjust optimal water temperature at "H" or "C" directory.
- 1.2 Pull out and tilt down faucet knob to shut off water any time during the automatic or manual operational cycle.



 **Warning** Must be used when spa chair is left unattended or for overnight procedures to shut off water supply to basin.



Auto-Fill™ / Jet Switch:

(Dual-functional momentary switch located on the right side of the front panel)

- 2.1 To turn water on: Turn knob clockwise and release. Water will fill up to reach the sensor level and activate the whirlpool jets to proceed a running duration of thirty (30) minutes automatically.
- 2.2 To turn water off: Turn knob clockwise and release. The switch can be activated to turn on or turn off water any time during the Auto-Fill™ cycle, EXCEPT when water is at sensor level.
- 2.3 To turn on/off the whirlpool jets: Turn & hold knob clockwise until blue LED light turns on/off.

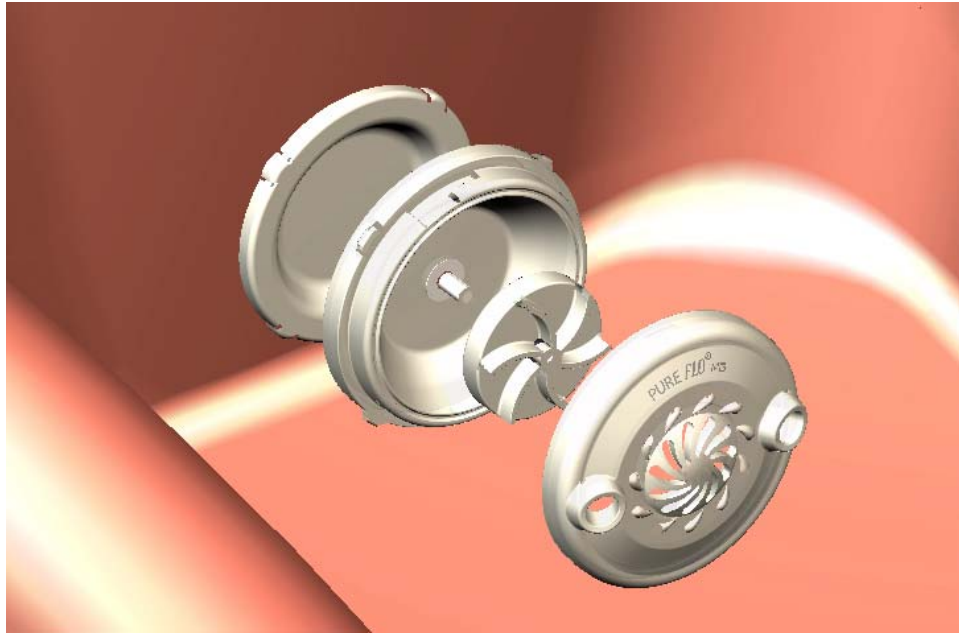
Auto-Drain/ AutoClean™ Switch:

(Dual-functional momentary switch located on the left side of the front panel)

When activating the switch, it will raise the drain-stopper and after 5 seconds for air released, drain pump (if applicable) will be turned on. Drain pump will automatically be turned off when water is completely drained.

- 3.1 To drain water: Turn the drain knob clockwise and release. A blue LED light will turn on. Water will be drained and the drain pump will automatically turned off. Please note that activate Drain Switch during the Whirlpool Cycle, system will turn off the whirlpool pump and turn on the drain pump.
- 3.2 To turn off the drain pump: Turn and release the drain knob.
- 3.3 10 minutes AutoClean™ cycle (recommended): Turn & Hold both Drain and Jet knobs for 2 seconds. Clean LED will turn on.
- 3.4 1-minute Quick Clean: Turn and hold Drain knob for 2 seconds. Clean LED will flash.

MAGNETIC JET COVER REMOVAL & INSTALLATION:



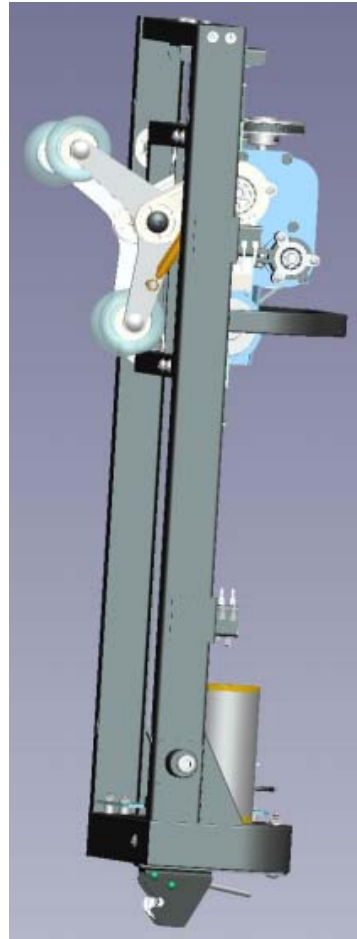
1. Snap off magnetic impeller housing from Jet tub socket by gripping the edge housing
2. Turn Counterclockwise to open. Remove Magnetic impeller. Handle with care. Do not drop. Damaged impeller is not warranted from mis-handling.
3. Turn Clockwise to close



Magnetic Impeller Handle With Care, do not drop



MASSAGE SYSTEM & REMOTE CONTROLLER:



**WARNING**

You must always refer to your state or local guidelines for cleaning requirements. Overnight soaking with overdosed Chlorine may damage rubber part in basin

CLEANING PROCEDURE IS REQUIRED BY STATE BOARDS

*Note: *** A cleaning log should be kept with each pedicure spa ****

Each State will have slight differences in cleaning policies, please check with your state's Bureau of Barbering and Cosmetology or Regulatory Authority for specific details.

Safety Requirements for Pedicure Spas

The Bureau of Barbering and Cosmetology requires that salons using whirlpool pedicure foot spas must follow these disinfecting procedures to ensure proper cleaning and maintenance of the equipment and to prevent the spread of bacterial or parasitic disease.

Violation of this section may result on an administrative fine and/or disciplinary action. Each foot spa that is not in compliance with this section may result in a separate violation.

NOTE: Authority cited: Section 7312, Business and Profession Code. Reference: Section 7312 (e), Business and Profession Code.

Below is a suggestion for your pedicure spa chair's cleaning procedure:

After Each Customer

1. All water shall be drained and all debris shall be removed from the spa basin.
2. The spa basin must be cleaned with soap or detergent and water
3. The spa basin must be disinfected with an EPA-registered disinfectant with demonstrated bactericidal, fungicidal, and virucidal activity, which must be used according to manufacturer's instructions.
4. The spa basin must be wiped dry with a clean towel.

At the End of Each Day

1. The screen shall be removed, all debris trapped behind the screen shall be removed, and the screen and the inlet shall be washed with soap or detergent and water.
2. Before replacing the screen, the screen shall be totally immersed in an EPA-registered disinfectant with demonstrated bactericidal, fungicidal and virucidal activity, which must be used according to the manufacturer's instructions.
3. The spa system shall be flushed with low sudsing soap and warm for at least 10 minutes, after which the spa shall be rinsed and drained.

At Least Once A Week

1. The spa basin shall be filled completely with warm water and 1 teaspoon of 5.25% bleach for each gallon of water, or a solution of Sodium Hypochlorite of approximately 50ppm used according to manufacturer's instructions.
2. The spa system shall be flushed with the bleach and water solution, or Sodium Hypochlorite solution, for 5-10 minutes and allowed to sit for 6-10 hours.
3. The spa system shall be drained and flushed with water before use upon a patron.



WARNING

PROPER INSTALLATION ACCORDING TO THIS MANUAL IS REQUIRED. FAILURE TO DO SO MAY RESULT IN SERIOUS INJURY AND/OR WARRANTY WILL BE NULL. YOU MUST HAVE A QUALIFIED LICENSED PLUMBER TO CONNECT THE SPA IN PLACE SAFELY. UL SAFETY CERTIFIED FOR UNITED STATES AND CANADA.

LEXOR INC. 14800 GOLDENWEST ST., WESTMINSTER, CA 92683, USA
LEXOR INC. TEL: 1-866-733-4772 FAX: 1-866-733-4773
CUSTOMER CARE: TEL: 1-800-559-3630 FAX: 1-714-622-1740
www.lexorinc.com

©2010 All Rights reserved. Design and Specifications are subject to change without notice